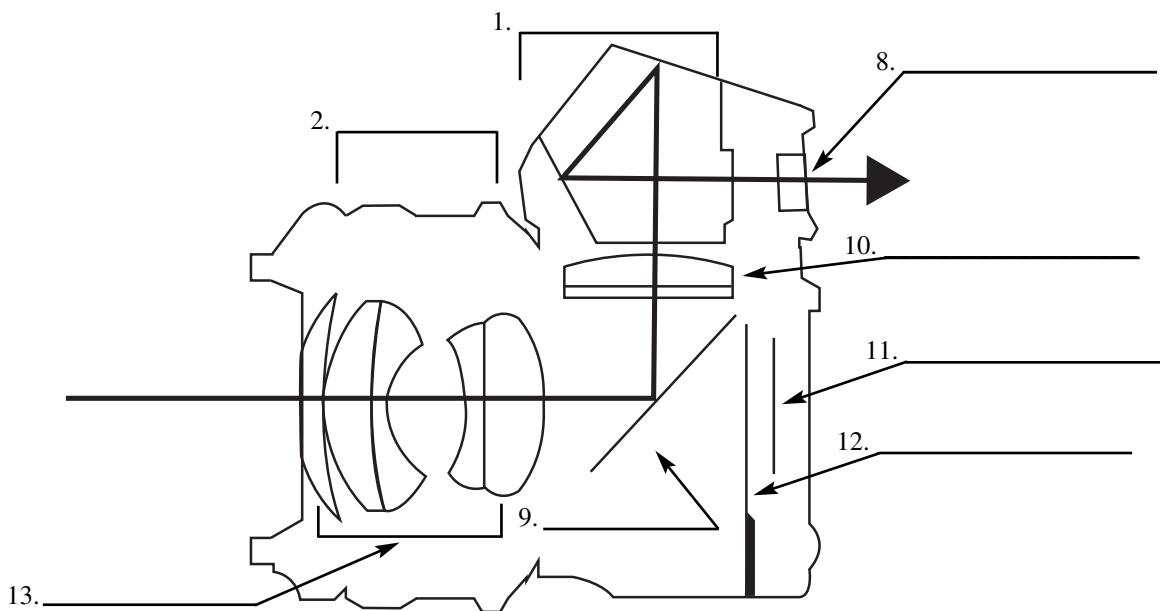
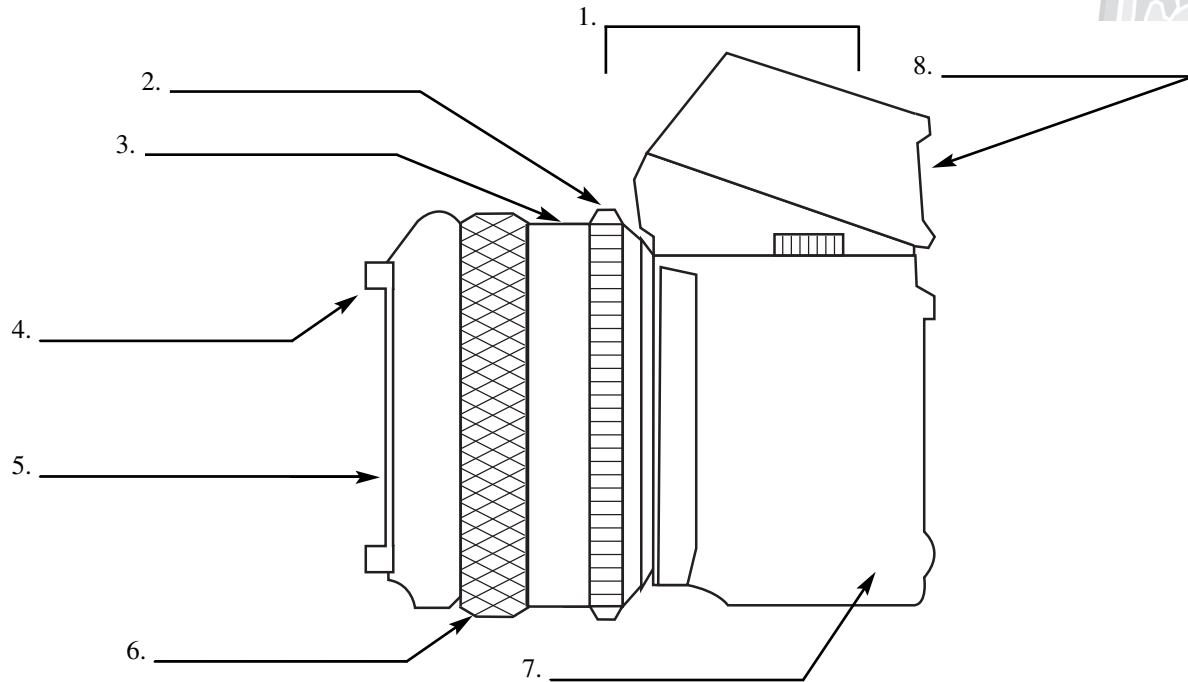




Photography Merit

Some answers may need to be written on a separate sheet of notebook paper and placed in your workbook.

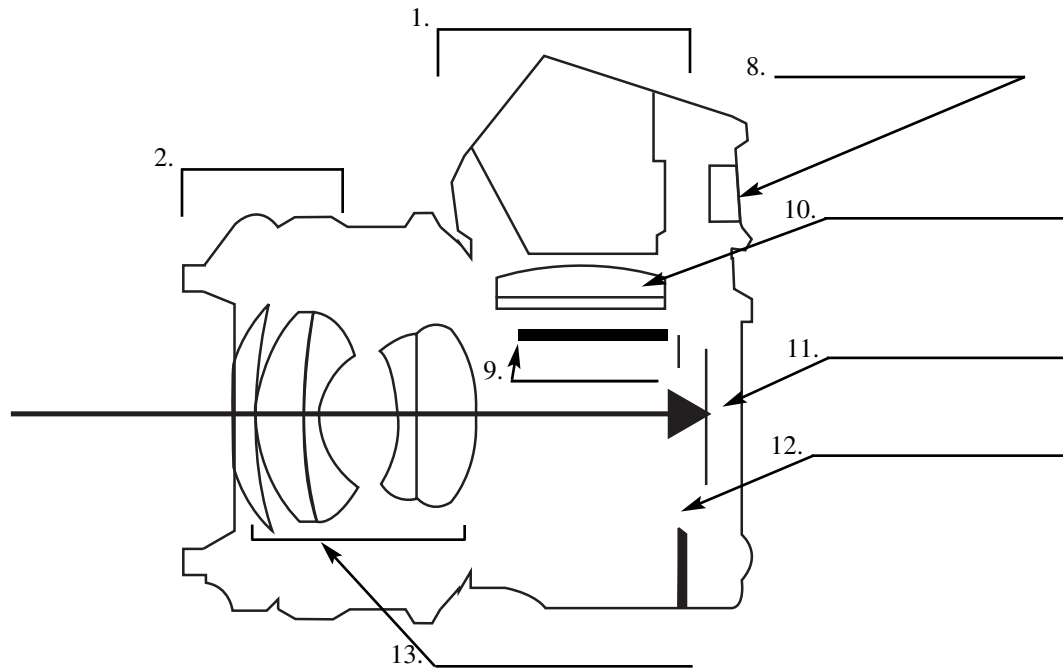
1. List and identify at least ten parts of an SLR camera.



Leader's
Initials



Date _____



2. Define the following terms:

a. Camera body _____

b. Lens _____

c. Aperture _____

d. Shutter _____

e. Viewfinder _____

f. Light meter _____

g. SLR camera _____

h. Mirror _____

3. Describe and demonstrate the steps in taking a successful photograph.

Fill in the following blanks:

a. Identify the _____. A good photograph either tells a _____
or shows a _____.

b. _____ the camera and _____ the picture in the
viewfinder.



Leader's
Initials



Date _____

- c. Set the _____ if necessary.
- d. _____ the film lever or dial.
- e. _____ the lens if necessary.
- f. Wait for the _____ and trip the shutter.

4. Explain the concept of proper exposure of film, relating film speed, aperture, and shutter speed.

Looking at a camera, give examples of the following:

Film types: _____

Film size: _____

Film lengths: _____

Film speed: _____

Shutter speed: _____

Complete MLR 3b "Proper Exposure Exercise."

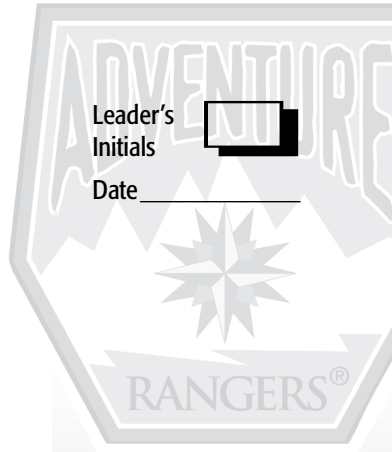
5. Take at least twenty-four photographs. Have the roll of film developed or obtain a printed copy of the digital images. Critique your results. Use any FOUR of the following types:

- a. Snapshot
- b. Portrait
- c. Still life
- d. Landscape
- e. Cityscape
- f. Skyscape
- g. Documentary
- h. Creative photography

6. Learn and demonstrate the following:

- a. Take a digital photo (unless already done for Requirement 5).
- b. Download a digital photo into a computer.
- c. Insert the photo into a document and print it or send it by e-mail to a friend.

Leader's Initials
Date _____



Leader's Initials
Date _____

Leader's Initials
Date _____

Leader's Initials
Date _____